

Sri
MANAKULA



VINAYAGAR

Medical College and Hospital
WORK ORDER

Supplier Name & Address
THE MANAGING DIRECTOR ,
B & B DEVELOPERS AND BUILDERS PVT LTD,
#2, EAST CROSS, AND BUILDERS PVT LTD,
VELLORE,
TAMILNADU 632 006, Ph: 0416-2242366.

W.O No : 1901982
W.O Date : 10.08.2018

Rev. W.o No. 09.07.2018
W.O. Ref. No. : Your quotation No.Nil, dated
P.O. Ref. No. None
Kind Attention Mr. Elumalai (Co- Ordinator -B & B Builders)

Sub: SMVMCH -Towards Collection Chamber, Filtration Chamber , Recharge pit the rain water harvesting work at Medical College, Hospital, Quarters, Boys Hostel , Ladies Hostel

S No	Items Description	UMO	Nos	QTY	Rate	Total Amount
1	EARTH EXCAVATION: Earth work excavation below ground level in all kinds of work in foundation and any other place as direction in all types of soil like clay, sandy, loamy, black cotton, red soil etc, disposal of surplus earth upto a distance 50 m. complete as directed including, use & waste of timbering as (for basement etc,) inclusive of carting away surplus earth from the site if required.,(From Ground upto 3 m below)	Cum	22	18.15	236.00	94,234.80
2	SAND FILLING Supply and filling of river sand below PCC and other areas, sand shall be clean , dray coarse hard, angular river sand free from impurities . The surface shall then be well dressed.	Cum	22	0.66	2,220.00	32,234.40
3	PCC 1:4:8 (Plain Cement Concrete) Plain Cement Concrete (1:4:8) propotion nominal mix (Cement :Fine Aggregate: Coarse Aggregate) for foundations and under flooring bed using 40mm size hard granite metal from approved quarry and first quality river mixed properly as levelling course , including all charges etc.,	Cum	22	0.66	3,830.00	55,611.60
4	BRICK WORK - 230mm thick Providing and construction 230mm thick walls with bricks conforming to IS 2185 with a minimum crushing strength of 50 N/Sq mm in cement mortar 1:6 (1 Cement:6 Sand) in foundation and superstructure at all levels and heights complete as per specification.	Cum	22	2.64	6,404.00	371,944.32

TRUE COPY ATTESTED

DEAN
SRI MANAKULA VINAYAGAR
MEDICAL COLLEGE & HOSPITAL
KALITHEERTHALKUPPAM,
MADAGADIPET, PUDUCHERRY-605 107.

Kalitheerthalkuppam, Madagadipet, Puducherry - 605107.

Tel : 0413 - 2643000, 2643014 , College : 2643023 | Fax : 0413 - 2641549 | E-mail : principal@smvmch.ac.in | Web : www.smvmch.ac.in

Sri Manakula Vinayagar Medical College and Hospital

Continuation Sheet

S No	Items Description	UMO	Nos	QTY	Rate	Total Amount
5	PLASTERING WORK Plastering surface of walls with C.M. 1:4, 15mm thick finished smooth at all heights and levels complete as per specifications. (Inner)	Sqm	22	23.9	323.00	169,833.40
6	PRECAST COVER AND SLOTTED SLAB Providing and laying precast cement concrete slab 1:1 1/2:3 (1 Cement, 1 1/2 Sand, 3 aggregate) 50 mm thickness as per specification, including the cost of centering & Shuttering and finishing smooth with 6mm thick cement plaster 1:3 on exposed surface complete but including the cost of reinforcement etc. completed	Sqm	22	4.88	1,141.00	122,497.76
7	20mm PEBBLES Supply and filling of pebbles to the Collection Chamber Filtration chamber and Recharge pit.	Cft	22	50	175.00	192,500.00
8	12mm PEBBLES Supply and filling of pebbles to the Collection chamber Filtration chamber and Recharge pit.	Cft	22	40	138.00	121,440.00
9	40mm BLUE METAL Supply and provide the blue metal to fill the Collection chamber Filtration chamber and Recharge pit.	Cft	22	40	20.00	17,600.00
10	WHITE WASHING Applying two coats of white washing (Ramcem) to all exposed wall and cover slab top with mixing of robin blue and curing etc., as per standard specification.	Sqft	22	125	5.00	13,750.00
11	PVC SLOTTED PIPE - 110 dia Providing and fixing 110mm dia P.V.C slotted and plain pipes complete with fittings and metre 81.80 clamps, including cutting and making good the walls etc.	Nos	22	2	2,520.00	110,880.00
12	PRECAST - RCC RING WITH COVER SLAB Providing and Supply pre cast RCC ring with cover slab including cost of loading, unloading with erection work plus pointing and packing work	Nos	22	12	750.00	198,000.00
13	BORE HOLE Driven the bore hole of 250mm dia for erection of slotted pipe at rainwater harvesting recharge pit.	Feet	22	40	220.00	193,600.00
Total Amount						1,694,126.28

(Rupees Sixteen Lakhs Ninety Four Thousand One Hundred and Twenty Six only)

TRUE COPY ATTESTED

DEAN
SRI MANAKULA VINAYAGAR
MEDICAL COLLEGE & HOSPITAL
KALITHEERTHALKUPPAM,
MADAGADIPET, PUDUCHERRY-605 107.

Sri Manakula Vinayagar Medical College and Hospital

Continuation Sheet

S No	Items Description	UMO	Nos	QTY	Rate	Total Amount
Terms & Conditions						
	Tax	service tax & Vat extra				
	Date of completion	3 Months				
	Payment	50% Advance payment , Balance after completion of works				
	Retention	The retention amount 5% should be deduct in every running bill certification				
	Penalty	majure the completin of work is not possible within the time stipulated, the client shall lay penalty on certified bill value per				
	Performance gurantee	Due to performance gurantee 5% of bill value should be deduct every month bill and it will be paid after four month completion of certification months				
	Other Details	Any dispute will lie only with in the jurisdiction of pondicherry court.				

For Sri Manakula Vinayagar Medical College and Hospital

Registrar

K. N. Nandy
Secretary

T. Sathyanarayana
Chairman cum Managing Director

I accept the above all terms and conditions

Supplier Signature

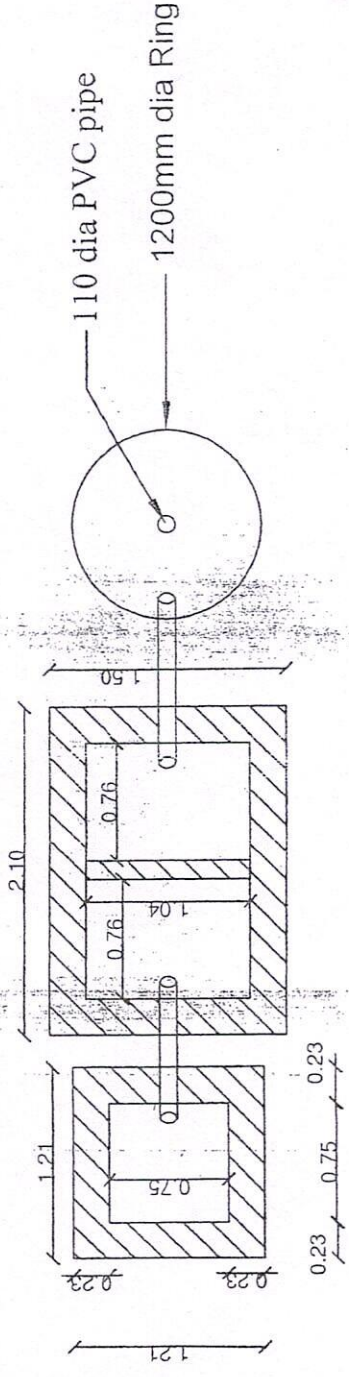
Copy to:

General Store linen
Related Department
Purchase Department

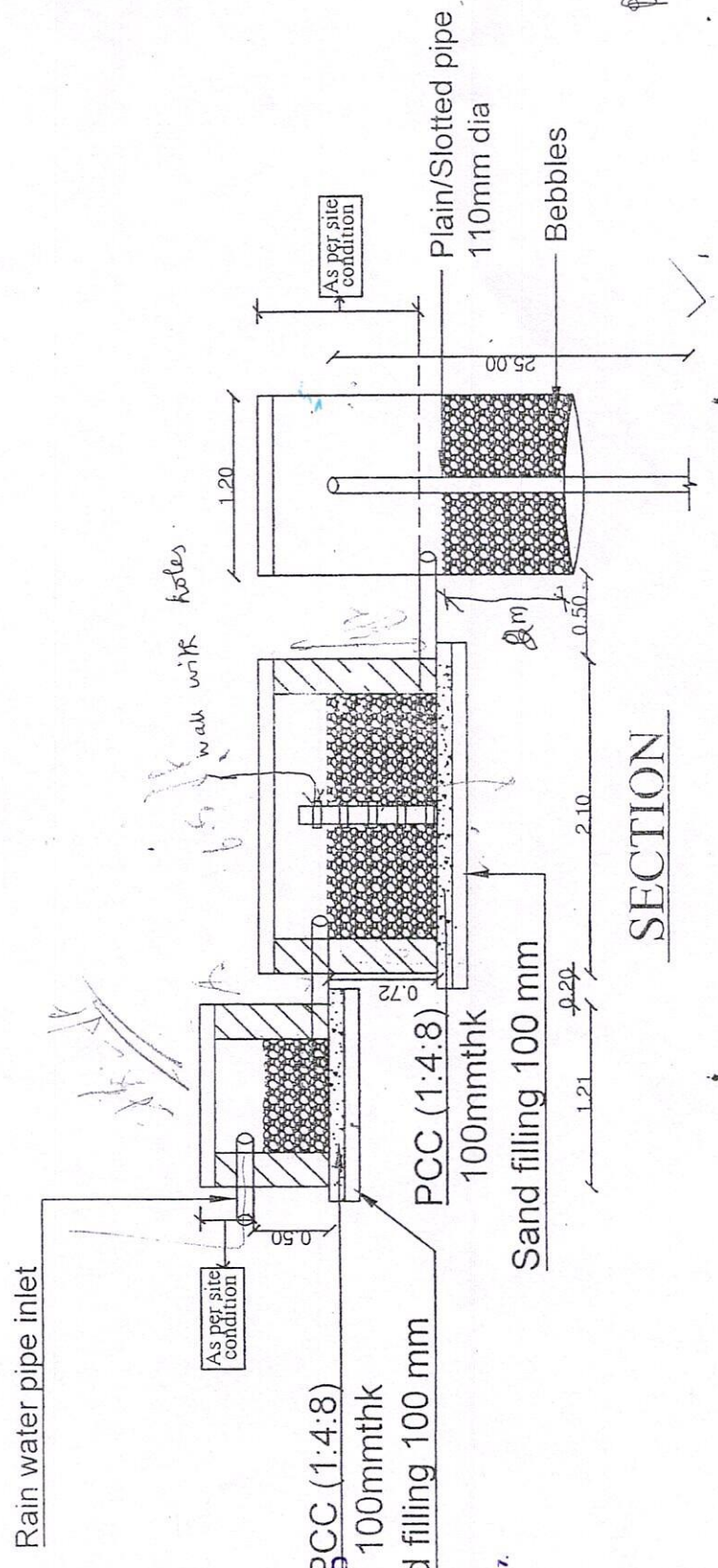
TRUE COPY ATTESTED

DEAN
SRI MANAKULA VINAYAGAR
MEDICAL COLLEGE & HOSPITAL
KALITHEERTHALKUPPAM,
MADAGADIPET, PUDUCHERRY-605 107.

RAIN WATER HARVEST PIT



PLAN



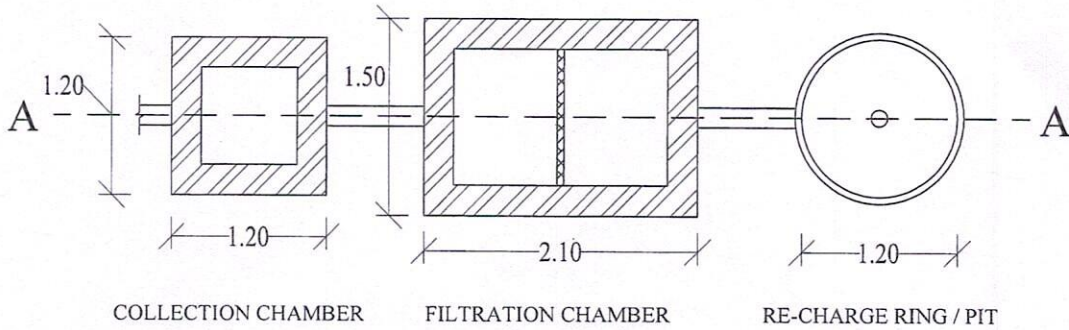
SECTION

TRUE COPY ATTESTED
100mmthk
Sand filling 100 mm

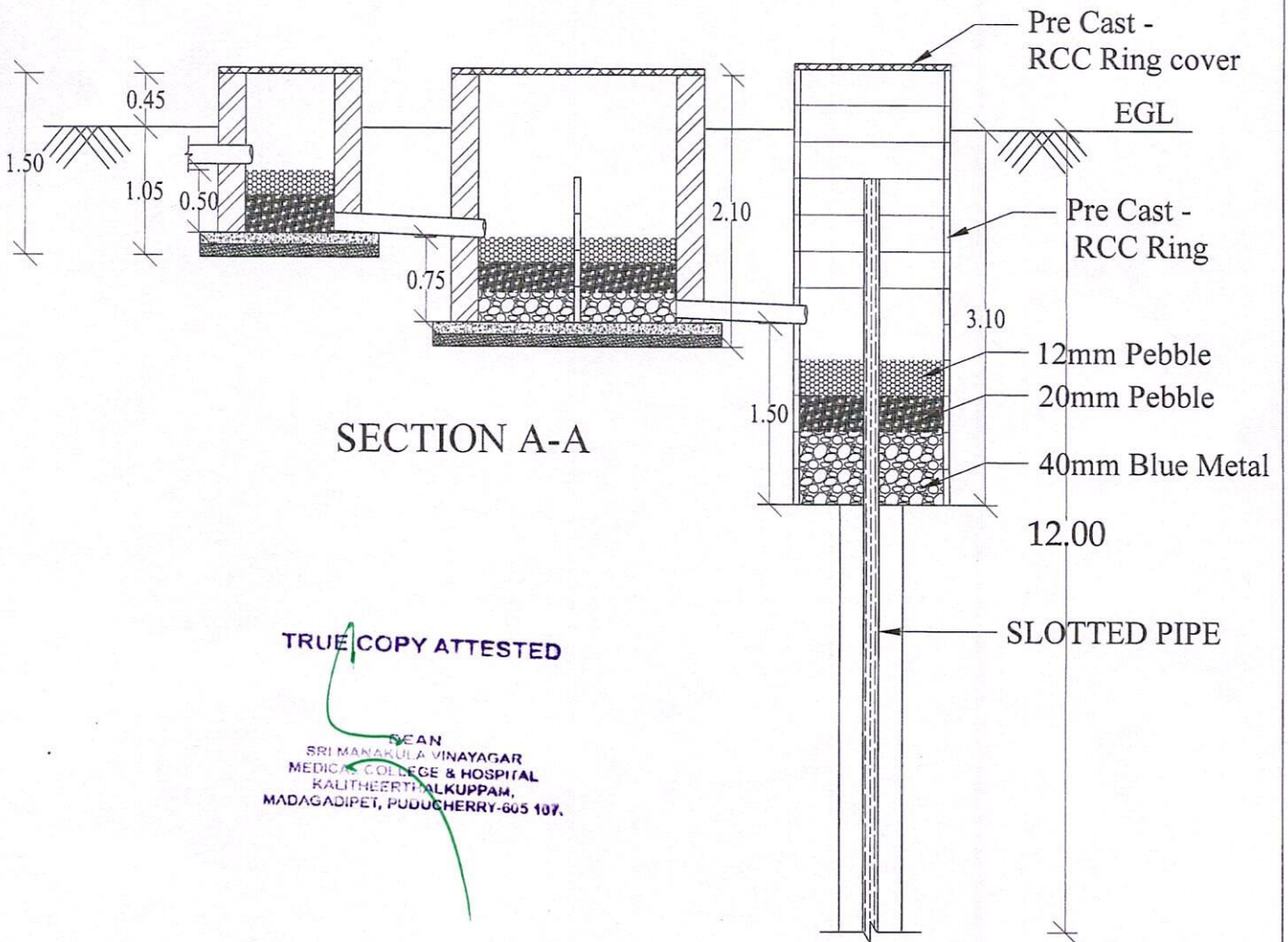
DEAN
SRI MANAKULA VINAYAGAR
MEDICAL COLLEGE & HOSPITAL
KALITHEERTHAIKUPPAM,
MADAGADIPET, PUDUCHERRY-605 107.

18/11/23

RAINWATER HARVESTING RE-CHARGE PIT



PLAN



TRUE COPY ATTESTED

SEAN
 SRI MANARULA VINAYAGAR
 MEDICAL COLLEGE & HOSPITAL
 KALITHEERTHALKUPPAM,
 MADAGADIPET, PUDUCHERRY-605 107.



Sri Manakula Vinayagar Medical College and Hospital

New Instrument Details

Department Name : All Item Name : All
Brand : All Model : All Status : All Instrument Status : All

Entry Dept : CIVIL - Maintenance	Instrument Name	Brand / Model / Spec	Serial No / Product No	Po No / GRN No	Supplier Name	Location	Price	Accessories	AMC Status	
1	376000001	RO PLANT	Excel water care / monoblock / 400 Litres	SMVMCH/Maint/1 / 001	Maint/001 / 001	EXCEL WATER SYSTEMS PRIVATE LIMITED	Hospital	150000	SS Tank, Raw water motor, High Pressure pump, Chemical Dosing pump, Boosting Pump, Pressure Gauge, Membrane, Micron Filter, Carbon Filter, Sand Filter, Ultra Violet, AMP meter, Electrica Penal Board, Rings	No Warranty
2	376000002	RO PLANT	JM Aqua / monoblock / 400 Litres	SMVMCH/Maint/2 / 002	002 / 002	JM AQUA SYSTEMS & SERVICES	Quarters - AP	165000	Raw water motor, High Pressure pump, Chemical Dosing pump, Boosting Pump, Pressure Gauge, Membrane, Micron Filter, Carbon Filter, Sand Filter, Ultra Violet, AMP meter, Electrica Penal Board, SS Tank, Rings	No Warranty
3	376000003	RO PLANT	RO Water care / monoblock / None	SMVMCH/Maint/3 / 003	003 / 003	JM AQUA SYSTEMS & SERVICES	Nursing College	120000	Raw water motor, High Pressure pump, Chemical Dosing pump, Boosting Pump, Pressure Gauge, Membrane, Micron Filter, Carbon Filter, Sand Filter, Ultra Violet, AMP meter, Electrica Penal Board, SS Tank, Rings	No Warranty
4	376000004	RO PLANT	JM Aqua / monoblock / 400 Litres	SMVMCH/Maint/004 / 004	004 / 004	JM AQUA SYSTEMS & SERVICES	Manakula Vinayagar Institute of Tech.	165000	Raw water motor, High Pressure pump, Chemical Dosing pump, Boosting Pump, Pressure Gauge, Membrane, Micron Filter, Carbon Filter, Sand Filter, Ultra Violet, AMP meter, Electrica Penal Board, SS Tank, Rings	No Warranty
5	376000005	RO PLANT	JM Aqua / monoblock / 400 Litres	SMVMCH/Maint/005 / 005	005 / 005	JM AQUA SYSTEMS & SERVICES	SMVPC	165000	Raw water motor, High Pressure pump, Chemical Dosing pump, Boosting Pump, Pressure Gauge, Membrane, Micron Filter, Carbon Filter, Sand Filter, Ultra Violet, AMP meter, Electrica Penal Board, SS Tank, Rings	No Warranty
6	376000006	RO PLANT	JM Aqua / monoblock / 400 Litres	SMVMCH/Maint/006 / 006	006 / 006	JM AQUA SYSTEMS & SERVICES	Hostel - Boys	165000	Raw water motor, High Pressure pump, Chemical Dosing pump, Boosting Pump, Pressure Gauge, Membrane, Micron Filter, Carbon Filter, Sand Filter, Ultra Violet, AMP meter, Electrica Penal Board, SS Tank, Rings	No Warranty

TRUE COPY ATTESTED

DR AN
SRI MANAKULA VINAYAGAR
MEDICAL COLLEGE & HOSPITAL
MADURAI, PUDUCHERRY-605 007.

Print Date : 7/10/2021

Page 1 of 4

Copy Rights to SMVSS Vpm.,

S.No.	Ins. No.	Instrument Name	Brand / Model / Spec	Serial No / Product No	Po No / GRN No	Supplier Name	Location	Price	Accessories	AMC Status
7	37600007	RO PLANT	JM Aqua / monoblock / 1000 Litres	SMVMCH/Maint/007 / 007	007 / 007	JM AQUA SYSTEMS & SERVICES	Dialysis	350000	Raw water motor, High Pressure pump, Chemical Dosing pump, Boosting Pump, Pressure Gauge, Membrane, Micron Filter, Carbon Filter, Sand Filter, Ultra Violet, AMP meter, Electrica Penal Board, SS Tank, Rings	No Warranty
8	37600008	RO PLANT	Excel water care / monoblock / 400 Litres	SMVMCH/Maint/008 / 008	008 / 008	EXCEL WATER SYSTEMS PRIVATE LIMITED	Dialysis	170000	Raw water motor, High Pressure pump, Chemical Dosing pump, Boosting Pump, Pressure Gauge, Membrane, Micron Filter, Carbon Filter, Sand Filter, Ultra Violet, AMP meter, Electrica Penal Board, SS Tank, Rings	No Warranty
9	37600009	Air Agitation System	Johnson / Air Blower / 40 HP A	89AC1404874TBP / 009	009 / 009	New Dawn Water Engineering	STP Plant	20000	Worm shaft bearing, Worm shaft Oil seal, Wheel shaft Bearing, Wheel shaft oil seal, Gear Box, Air Filter, Air Condensor, Air Rotar, Bold kamp, Nut	No Warranty
10	37600010	Air Agitation System	Johnson / Air Blower / 40 HP B	89AC1404873TBP / 010	010 / 010	New Dawn Water Engineering	STP Plant	20000	Worm shaft Oil seal, Worm shaft bearing, Wheel shaft Bearing, Wheel shaft oil seal, Gear Box, Air Filter, Air Condensor, Air Rotar, Bold kamp, Nut	No Warranty
11	37600011	Air Agitation System	Johnson / Air Blower / 20 HP A	615AC1409295TBP / 011	011 / 011	New Dawn Water Engineering	STP Plant	20000	Worm shaft bearing, Worm shaft Oil seal, Wheel shaft Bearing, Wheel shaft oil seal, Gear Box, Air Filter, Air Condensor, Air Rotar, Bold kamp, Nut	No Warranty
12	37600012	Air Agitation System	Johnson / Air Blower / 20 HP B	615AC1409294TBP / 012	012 / 012	New Dawn Water Engineering	STP Plant	20000	Worm shaft bearing, Worm shaft Oil seal, Wheel shaft Bearing, Wheel shaft oil seal, Gear Box, Air Filter, Air Condensor, Air Rotar, Bold kamp, Nut	No Warranty
13	37600013	Pump	KIRLOSOKAR / Sewage Pump / 10 HP A	SMVMCH/Maint/013 / 013	013 / 013	New Dawn Water Engineering	STP Plant	65000	Bearings, Shaft sleeve, Impeller, Wear Plate (DE), Wear Plate (NDE), SCS Screw, Shaft Machine, Seal, Packing Rope, Water diffuser, SS 12 mm Nut, SS 10 mm Nut	No Warranty
14	37600014	Pump	KIRLOSOKAR / Sewage Pump / 10 HP B	SMVMCH/Maint/014 / 014	014 / 014	New Dawn Water Engineering	STP Plant	65000	Bearings, Shaft sleeve, Impeller, Wear Plate (DE), Wear Plate (NDE), SCS Screw, Shaft Machine, Seal, Packing Rope, Water diffuser, SS 10 mm Nut, SS 12 mm Nut	No Warranty
15	37600015	Pump	KIRLOSOKAR / Sewage Pump / 10 HP A	SMVMCH/Maint/015 / 015	015 / 015	New Dawn Water Engineering	STP Plant	65000	Bearings, Shaft sleeve, Impeller, Wear Plate (DE), Wear Plate (NDE), SCS Screw, Shaft Machine, Seal, Packing Rope, Water diffuser, SS 10 mm Nut, SS 12 mm Nut	No Warranty
16	37600016	Pump	KIRLOSOKAR / Sewage Pump / 7.5 HP	SMVMCH/Maint/016 / 016	016 / 016	New Dawn Water Engineering	STP Plant	60000	Bearings, Shaft sleeve, Impeller, Wear Plate (DE), Wear Plate (NDE), SCS Screw, Shaft Machine, Seal, Packing Rope, Water diffuser, SS 10 mm Nut, SS 12 mm Nut	No Warranty

Print Date : 7/10/2021 TRUE COPY ATTESTED

DEAN
SRIKANTHA VINAYAGAR
MEDICAL COLLEGE & HOSPITAL
KALTHEERTHAL KUPPAM,
MADAGADIPETI, PUDUCHERRY-605 107.

Sl. No.	Ins. No.	Instrument Name	Brand / Model / Spec	Serial No / Prod- t- No	Po No / GRN No	Supplier Name	Location	Price	Accessories	AMC Status
17	376000017	Pump	KIRLOSKAR / Submercible / 2 HP	SNVMCH/Main/01 / 017	017 / 017	New Dawn Water Engineering	STP Plant	16000	Bearings, Shaft sleeve, Impeller, Wear Plate (DE), Wear Plate (NDE), SCS Screw, Shaft Machine, Seal, Packing Rope, Water diffuser, SS 10 mm Nut, SS 12 mm Nut	No Warranty
18	376000018	Pump	Johnson / Sewage Pump / 7.5 HP A	B212019130 / 018	018 / 018	New Dawn Water Engineering	STP Plant	50000	Bearings, Shaft sleeve, Impeller, Wear Plate (DE), Wear Plate (NDE), SCS Screw, Shaft Machine, Seal, Packing Rope, Water diffuser, SS 10 mm Nut, SS 12 mm Nut	No Warranty
19	376000019	Pump	Johnson / Sewage Pump / 7.5 HP B	B212048154 / 019	019 / 019	New Dawn Water Engineering	STP Plant	52000	Bearings, Shaft sleeve, Impeller, Wear Plate (DE), Wear Plate (NDE), SCS Screw, Shaft Machine, Seal, Packing Rope, Water diffuser, SS 10 mm Nut, SS 12 mm Nut	No Warranty
20	376000020	Pump	Johnson / Sludge Pump / 5 HP	B212019109 / 020	020 / 020	New Dawn Water Engineering	STP Plant	40000	Bearings, Shaft sleeve, Impeller, Wear Plate (DE), Wear Plate (NDE), SCS Screw, Shaft Machine, Seal, Packing Rope, Water diffuser, SS 10 mm Nut, SS 12 mm Nut	No Warranty
21	376000021	Pump	Johnson / Sludge Pump / 5 HP	B2120191109 / 021	021 / 021	New Dawn Water Engineering	STP Plant	40000	Bearings, Shaft sleeve, Impeller, Wear Plate (DE), Wear Plate (NDE), SCS Screw, Shaft Machine, Seal, Packing Rope, Water diffuser, SS 10 mm Nut, SS 12 mm Nut	No Warranty
22	376000022	Pump	Johnson / Filter Feed Pump / 10 HP A	A212028290 / 022	022 / 022	New Dawn Water Engineering	STP Plant	18000	Bearings, Shaft sleeve, Impeller, Wear Plate (DE), Wear Plate (NDE), SCS Screw, Shaft Machine, Seal, Packing Rope, Water diffuser, SS 10 mm Nut, SS 12 mm Nut	No Warranty
23	376000023	Pump	Johnson / Filter Feed Pump / 10 HP B	A212039234 / 023	023 / 023	New Dawn Water Engineering	STP Plant	18000	Bearings, Shaft sleeve, Impeller, Wear Plate (DE), Wear Plate (NDE), SCS Screw, Shaft Machine, Seal, Packing Rope, Water diffuser, SS 10 mm Nut, SS 12 mm Nut	No Warranty
24	376000024	Pump	Johnson / Garden Pump / 10 HP A	SNVMCH/Main/024 / 024	024 / 024	New Dawn Water Engineering	STP Plant	37500	Bearings, Shaft sleeve, Impeller, Wear Plate (DE), Wear Plate (NDE), SCS Screw, Shaft Machine, Seal, Packing Rope, Water diffuser, SS 10 mm Nut, SS 12 mm Nut	No Warranty
25	376000025	Pump	Johnson / Garden Pump / 7.5 HP B	SNVMCH/Main/025 / 025	025 / 025	New Dawn Water Engineering	STP Plant	35000	Bearings, Shaft sleeve, Impeller, Wear Plate (DE), Wear Plate (NDE), SCS Screw, Shaft Machine, Seal, Packing Rope, Water diffuser, SS 10 mm Nut, SS 12 mm Nut	No Warranty
26	376000026	Pump	KIRLOSKAR / Sewage Pump / 7.5 HP A	A3DFRD104 / 026	026 / 026	New Dawn Water Engineering	Animal House	52000	Bearings, Shaft sleeve, Impeller, Wear Plate (DE), Wear Plate (NDE), SCS Screw, Shaft Machine, Seal, Packing Rope, Water diffuser, SS 10 mm Nut, SS 12 mm Nut	No Warranty
27	376000027	Pump	KIRLOSKAR / Sewage Pump / 7.5 HP B	A170GE000278 / 027	027 / 027	New Dawn Water Engineering	Animal House	52000	Bearings, Shaft sleeve, Impeller, Wear Plate (DE), Wear Plate (NDE), SCS Screw, Shaft Machine, Seal, Packing Rope, Water diffuser, SS 10 mm Nut, SS 12 mm Nut	No Warranty

Print Date : 7/10/2021

TRUE COPY ATTESTED Page 3 of 4

DEAN
SRI MANAKOLA VINAYAGAR
MEDICAL COLLEGE & HOSPITAL
KALITHEERTHAL KUPPAM,
MADAGADIPET, PUDUCHERRY-605 107.

No. Invs. No.	Instrument Name	Brand / Model / Spec	Serial No / Product No	Po No / GRN No	Supplier Name	Location	Price	Accessories	AMC Status
28	376000028	Pump	KIRLOSKAR / Chemical Dossing Pump / 7.5 HP	028 / 028	New Dawn Water Engineering	STP Plant	43000	Bearings, Shaft sleeve, Impeller, Wear Plate (DE), Wear Plate (NDE), SCS Screw, Shaft Machine, Seal, Packing Rope, Water diffuser, SS 10 mm Nut, SS 12 mm Nut	No Warranty
29	376000029	Clarifier Magnesium Agitator / 1.5 HP	Hitech / Sludge Agitator / 1.5 HP	028 / 028	New Dawn Water Engineering	STP Plant	200000	Worm shaft Oil seal, Worm shaft bearing, Wheel shaft Bearing, Wheel shaft oil seal, Gear Box, Bolt & Nut, Main Scrubber Shaft, Main Scrubber Shaft Bearing	No Warranty
30	376000030	Water Flow meter Sludge Agitator / 50 M	Frehng Instruments / Sludge Agitator / 50 M	FME2040-12529 / 030 030 / 030	Toshniwal Hyvar Pvt Ltd	STP Plant	18509	Worm shaft bearing, Worm shaft Oil seal, Wheel shaft Bearing, Wheel shaft oil seal, Gear Box, Bolt & Nut, Main Scrubber Shaft, Main Scrubber Shaft Bearing	No warranty

Copy Rights to SMVSS Vpm.,

Print Date : 7/10/2021

Page 4 of 4

TRUE COPY ATTESTED

DEAN
SRI MANAKULAM HOSPITAL
MEDICAL COLLEGE HOSPITAL
KALITHERTHAL KUPPAM,
MAAVALAPET, PUDUCHERRY-605 107.